

Model AE7570

Outdoor Weatherproof LCD TV Enclosure

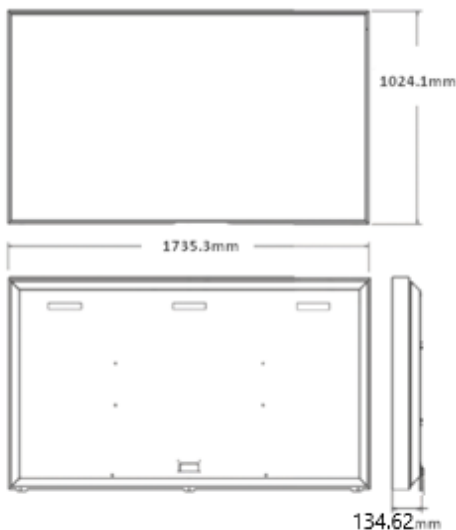


Fits most 70" - 75" slimline TVs and Commercial Screens

Model AE7075 can come complete with optional wall mount kit of your choice



Model AE7570 Drawings and Specs



Australasia Distributor

Digi Screens Limited

16 Bentinck Street

New Lynn, Auckland

leonie@digiscreens.co.nz

Digi Screens

APOLLO ENCLOSURES

Features for Model AE7570

- All aluminium powder coated construction for durability and style
- Safety tempered glass with internal IR film rejects over 90% of infrared rays and safeguards your TV from the outdoor elements
- Tight-Seal technology seals your TV against rain, dust, and insects
- Temperature controlled, the filtered air-flow system protects your TV in temperatures of -20°C to 50°C
- Down-facing sound ports transfer TV speaker audio effectively to maximise audio performance
- Watertight cable cover protects cable connections to your TV and inputs and outputs
- 1m High-Speed HDMI cable and coupler included
- Internal TV mounting brackets for standard TV VESA patterns
- Standard colour black, with three designer colour options

Specifications	Model AE7570
Fits TV Sizes	70" to 75" Slim TVs & Commercial screens
Max TV Dimensions	1689.1 x 972.8 x 76.2mm
Power Requirements	230 VAC
Enclosure Dimensions	1735.3 x 1024.1 x 134.62mm
Filtered airflow system	3 Axial fans
Enclosure Weight	42kg
Optional Mounts, Accessories and Designer Colours	
Mount Options	AWM407 – Articulating Wall Mount WM607NA – Non-articulating Wall Mount
DC7570 – Custom protective dust cover of washable durable fabric	
HM001 – Thermostatically controlled heater module for installation in areas of extreme humidity or very cold conditions	
MOD70 – Modesty bezels available for framing smaller TVs	
HDMI90 – HDMI right angle adapter (may be necessary for TVs with rear facing HDMI ports)	
Designer Colour Upgrades - Silver, Metallic Sandstone and White	

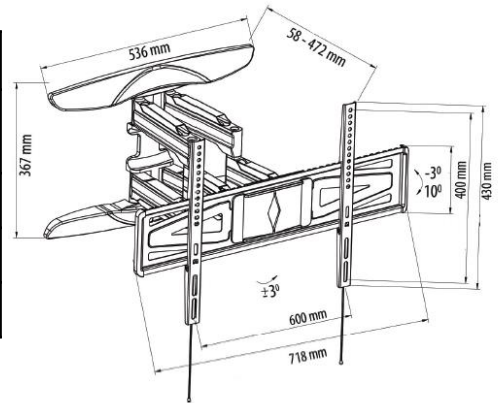
digiscreens.co.nz

+64 9 827 2323

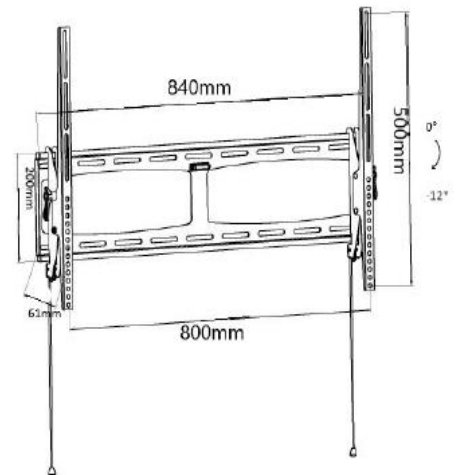
Weatherproof Mounting Kit Selections for Apollo Enclosures

All Apollo mounts are designed for outdoor installation with weatherproof construction and stainless steel hardware.

Specifications for AWM407 Articulating Wall Mount	
Description	Weather resistant aluminium dual arm, full-motion, tilting wall mount - Black
Extension	58.4 to 469.9mm
Tilt	Adjustable from -3° to 10°
Max. Load	75 kgs



Specifications for WM607NA Non Articulating Mount	
Description	Weather resistant non-articulating wall mount - Black
Tilt	Adjustable from 0° to 12°
Max. Load	113 kgs



Australasia Distributor
Digi Screens Limited
 16 Bentinck Street
 New Lynn, Auckland
 leonie@digiscreens.co.nz

digiscreens.co.nz +64 9 827 2323