

Model AE6560
Outdoor Weatherproof LCD TV Enclosure

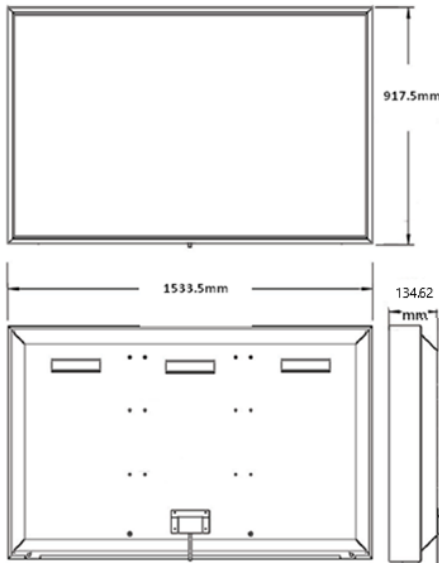


Fits most 60"- 65" slimline TVs and Commercial Screens

Model AE6560 can come complete with optional wall mount kit of your choice



Model AE6560 Drawings and Specs



Features for Model AE6560

- All aluminium powder coated construction for durability and style
- Safety tempered glass with internal IR film rejects over 90% of infrared rays and safeguards your TV from the outdoor elements
- Tight-Seal technology seals your TV against rain, dust, and insects
- Temperature controlled, the filtered air-flow system protects your TV in temperatures of -20°C to 50°C
- Down-facing sound ports transfer TV speaker audio effectively to maximise audio performance
- Watertight cable cover protects cable connections to your TV and inputs and outputs
- 1m High-Speed HDMI cable and coupler included
- Internal TV mounting brackets for standard TV VESA patterns
- Standard colour black, with three designer colour options

| Specifications | Model AE6560 |
|-------------------------------------------------------------------------------------------------------------------------|----------------------------------------------------------------------------------------------------|
| Fits TV Sizes | 60" to 65" Slim TVs & Commercial screens |
| Max TV Dimensions | 1473.2 x 863.6 x 76.2mm |
| Power Requirements | 230 VAC |
| Enclosure Dimensions | 1533.5 x 917.5 x 134.62mm |
| Filtered airflow system | 3 Axial fans |
| Enclosure Weight | 27kg |
| Optional Mounts. Accessories and Designer Colours | |
| Mount Options | AWM407 – Articulating Wall Mount WM607NA – Non-articulating Wall Mount CM307 – Ceiling Mount |
| DC6560 – Custom protective dust cover of washable durable fabric | |
| HM001 – Thermostatically controlled heater module for installation in areas of extreme humidity or very cold conditions | |
| MOD60 – Modesty bezels available for framing smaller TVs | |
| HDMI90 – HDMI right angle adapter (may be necessary for TVs with rear facing HDMI ports) | |
| Designer Colour Upgrades - Silver, Metallic Sandstone and White | |

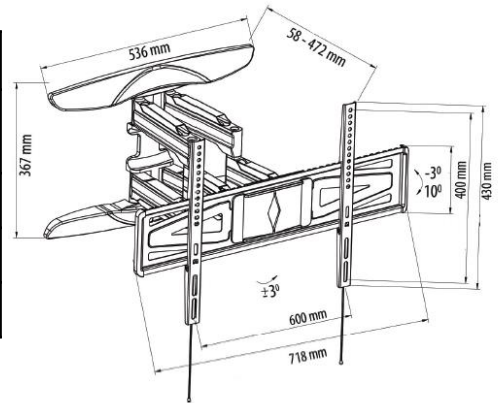
Australasia Distributor
Digi Screens Limited
16 Bentinck Street
New Lynn, Auckland
leonie@digiscreens.co.nz



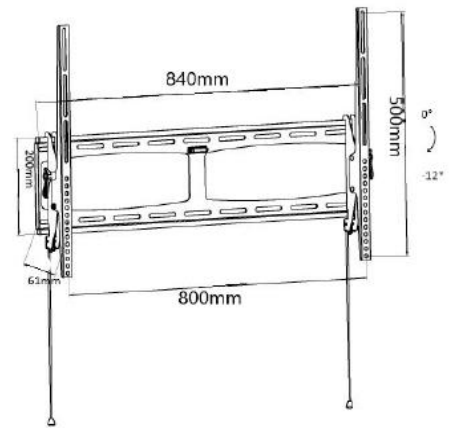
Weatherproof Mounting Kit Selections for Apollo Enclosures

All Apollo mounts are designed for outdoor installation with weatherproof construction and stainless steel hardware.

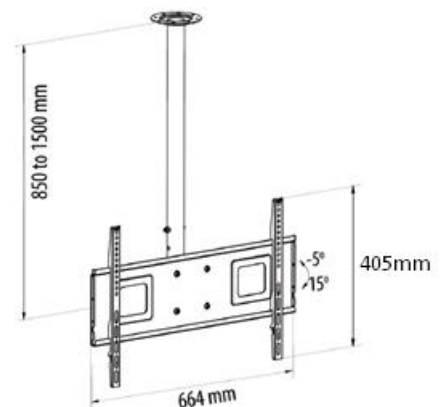
| Specifications for AWM407 Articulating Wall Mount | |
|----------------------------------------------------------|-------------------------------------------------------------------------------|
| Description | Weather resistant aluminium dual arm, full-motion, tilting wall mount - Black |
| Extension | 58.4 to 469.9mm |
| Tilt | Adjustable from -3° to 10° |
| Maximum Load | 75 kgs |



| Specifications for WM607NA Non Articulating Mount | |
|----------------------------------------------------------|-------------------------------------------------------|
| Description | Weather resistant non-articulating wall mount - Black |
| Tilt | Adjustable from 0° to 12° |
| Maximum Load | 113 kgs |



| CM708 Ceiling Mount Suitable for 39" to 65" TVs | |
|--------------------------------------------------------|--------------------------------------------------------------------------------------------------|
| Description | Weather resistant adjustable height, tilting and swivel ceiling mount with ceiling plate - Black |
| Extension | 850 to 1500mm |
| Tilt | Adjustable from -5° to 15° |
| Maximum Load | 70 kgs |



Australasia Distributor
Digi Screens Limited
 16 Bentinck Street
 New Lynn, Auckland
 leonie@digiscreens.co.nz

digiscreens.co.nz +64 9 827 2323