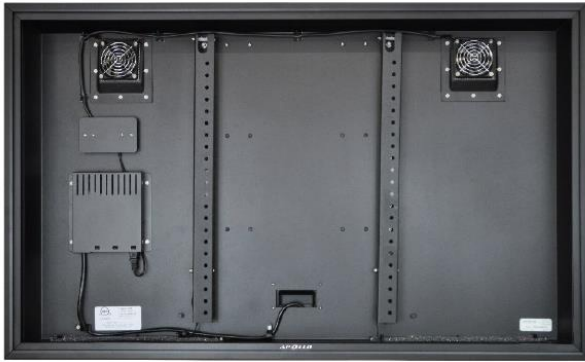


**Model AE4239**  
Outdoor Weatherproof LCD TV Enclosure

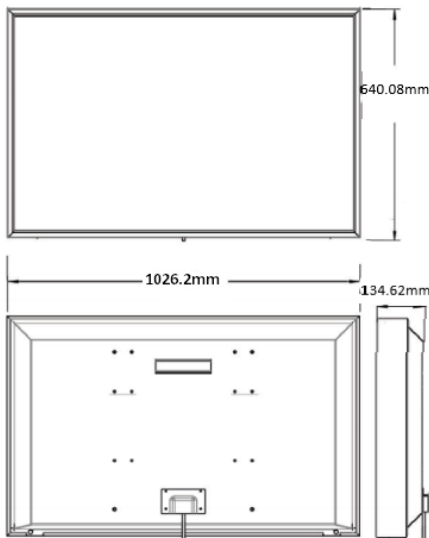


**Fits most 39"- 43" slimline TVs and Commercial Screens**

Model AE4239 can come complete with optional wall mount kit of your choice



**Model AE4239 Drawings and Specs**



**Features for Model AE4239**

- All aluminium powder coated construction for durability and style
- Safety tempered glass with internal IR film rejects over 90% of infrared rays and safeguards your TV from the outdoor elements
- Tight-Seal technology seals your TV against rain, dust, and insects
- Temperature controlled, the filtered air-flow system protects your TV in temperatures of -20°C to 50°C
- Down-facing sound ports transfer TV speaker audio effectively to maximise audio performance
- Watertight cable cover protects cable connections to your TV and inputs and outputs
- 1m High-Speed HDMI cable and coupler included
- Internal TV mounting brackets for standard TV VESA patterns
- Standard colour black, with three designer colour options

Specifications	Model AE4239
Fits TV Sizes	39" to 43" Slim TVs & Commercial screens
Max TV Dimensions	978 x 584 x 76mm
Power Requirements	230 VAC
Enclosure Dimensions	1026 x 640 x 135mm
Filtered airflow system	2 Axial fans
Enclosure Weight	13.7kg
<b>Optional Mounts, Accessories and Designer Colours</b>	
Mount Options	AWM207 – Articulating Wall Mount WM607NA – Non-articulating Wall Mount CM307 – Ceiling Mount
DC4239 – Custom protective dust cover of washable durable fabric	
HM001 – Thermostatically controlled heater module for installation in areas of extreme humidity or very cold conditions	
MOD39 – Modesty bezels available for framing smaller TVs	
HDMI90 – HDMI right angle adapter (may be necessary for TVs with rear facing HDMI ports)	
Designer Colour Upgrades - Silver, Metallic Sandstone and White	



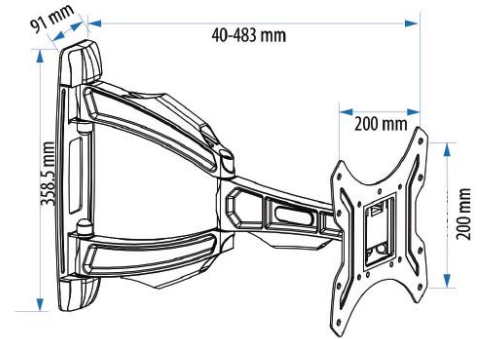
**Australasia Distributor**  
**Digi Screens Limited**  
16 Bentinck Street  
New Lynn, Auckland  
leonie@digiscreens.co.nz

# Weatherproof Mounting Kit Selections for Apollo Enclosures

All Apollo mounts are designed for outdoor installation with weatherproof construction and stainless steel hardware.

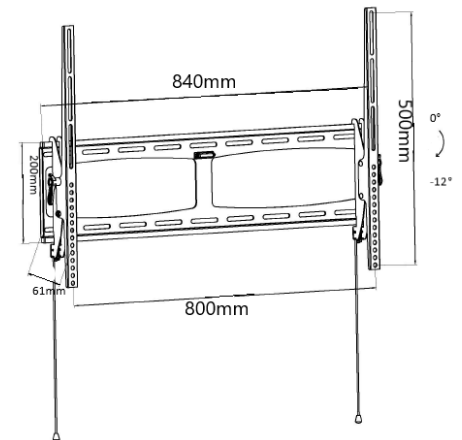
## Specifications for AWM207 Articulating Wall Mount

Description	Weather resistant aluminium arm, super slim full motion, tilting wall mount - Black
Extension	40 to 480mm
Tilt	Adjustable from -2° to 12°
Mount Weight	4.5kg



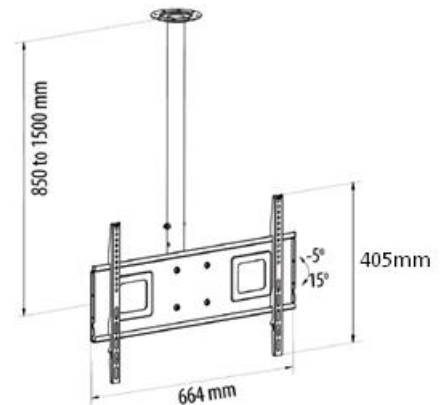
## Specifications for WM607NA Non Articulating Mount

Description	Weather resistant non-articulating wall mount - Black
Tilt	Adjustable from 0° to 12°
Mount Weight	5kg



## Specifications for CM307 Ceiling Mount

Description	Weather resistant adjustable height, tilting and swivel ceiling mount with ceiling plate - Black
Extension	850 to 1500mm
Tilt	Adjustable from -5° to 15°
Mount Weight	10.8kg



**Australasia Distributor**  
**Digi Screens Limited**  
 16 Bentinck Street  
 New Lynn, Auckland  
 leonie@digiscreens.co.nz

[digiscreens.co.nz](http://digiscreens.co.nz)

+64 9 827 2323