

Model AE9800
Outdoor Weatherproof LCD TV Enclosure



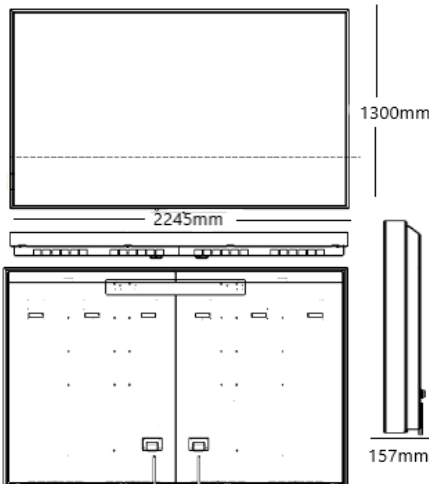
Features for Model AE9800

- All aluminium powder coated construction for durability and style
- Safety tempered glass with internal IR film rejects over 90% of infrared rays and safeguards your TV for the outdoor elements.
- Tight-Seal technology seals your TV against rain, dust, and insects
- Temperature controlled, the filtered air-flow system protects your TV in temperatures of -20°C to 50°C
- Down-facing sound ports transfer TV speaker audio effectively to maximise audio performance
- Watertight cable cover protects cable connections to your TV and inputs and outputs
- 1m High-Speed HDMI cable and coupler included
- Internal TV mounting brackets for standard TV VESA patterns
- Standard colour black, with three designer colour options

Fits most 90" - 98" slimline TVs and Commercial Screens



Model AE9800 Drawings and Specs



Specifications	Model AE9800
Fits TV Sizes	90" to 98" Slim TVs & Commercial screens
Max TV Dimensions	2195 x 1450 x 94mm
Power Requirements	230 VAC
Enclosure Dimensions	2246 x 1301 x 158mm
Filtered airflow system	4 Axial fans
Enclosure Weight	75kg
Optional Mounts, Accessories and Designer Colours	
Mount Options	WM808NA – Non-articulating Wall Mount
	DC8680 – Custom protective dust cover of washable durable fabric
	HM001 – Thermostatically controlled heater module for installation in areas of extreme humidity or very cold conditions
	Designer Colour Upgrades - Silver, Metallic Sandstone and White



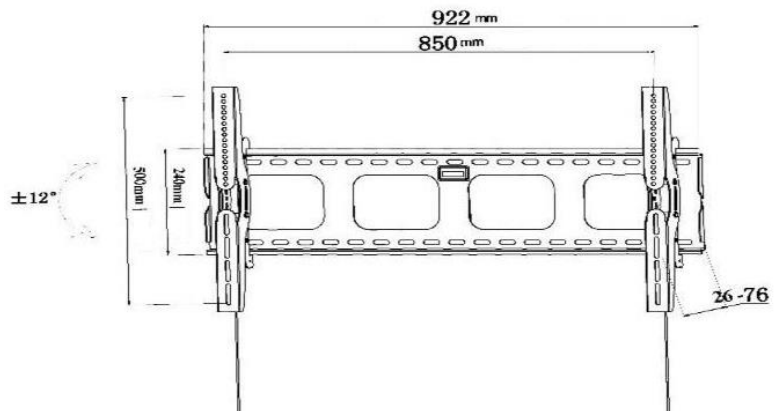
Australasia Distributor
Digi Screens Limited
16 Bentinck Street
New Lynn, Auckland
leonie@digiscreens.co.nz

digiscreens.co.nz +64 9 827 2323

Heavy Duty Weather resistant Wall Mount for Apollo Enclosures over 75"

All Apollo mounts are designed for outdoor installation with weatherproof construction and stainless steel hardware.

Specifications for WM808NA-HD Non Articulating Mount	
Description	Weather resistant non-articulating wall mount with stainless steel hardware - Black
Tilt	Adjustable from 0° to 12°
Maximum Load	115 kgs
Mount Weight	5kg



Australasia Distributor
Digi Screens Limited
16 Bentinck Street
New Lynn, Auckland
leonie@digiscreens.co.nz

digiscreens.co.nz

+64 9 827 2323