

Model AE8680

Outdoor Weatherproof LCD TV Enclosure

APOLLO

ENCLOSURES

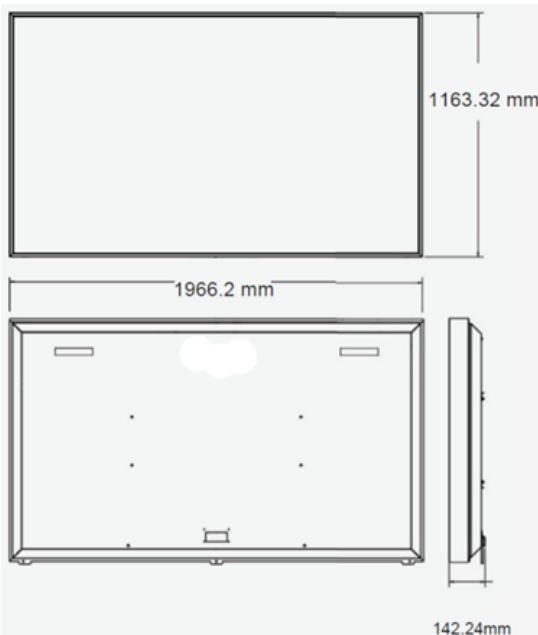
Features for Model AE8680



Fits most 80" - 86" slimline TVs and Commercial Screens

- All aluminium powder coated construction for durability and style
- Safety tempered glass with internal IR film rejects over 90% of infrared rays and safeguards your TV from the outdoor elements
- Tight-Seal technology seals your TV against rain, dust, and insects
- Temperature controlled, the filtered air-flow system protects your TV in temperatures of -20°C to 50°C
- Down-facing sound ports transfer TV speaker audio effectively to maximise audio performance
- Watertight cable cover protects cable connections to your TV and inputs and outputs
- 1m High-Speed HDMI cable and coupler included
- Internal TV mounting brackets for standard TV VESA patterns
- Standard colour black, with three designer colour options

Model AE8680 Drawings and Specs



Specifications	Model AE8680
Fits TV Sizes	80" to 86" Slim TVs & Commercial screens
Max TV Dimensions	1938 x 1115 x 81mm
Power Requirements	230 VAC
Enclosure Dimensions	1966 x 1163 x 142mm
Filtered airflow system	Two large crossflow fans
Enclosure Weight	53kg
Optional Mounts, Accessories and Designer Colours	
Mount Options	WM808NA – Non-articulating Wall Mount
DC8680 – Custom protective dust cover of washable durable fabric	
HM001 – Thermostatically controlled heater module for installation in areas of extreme humidity or very cold conditions	
Designer Colour Upgrades - Silver, Metallic Sandstone and White	



Australasia Distributor
Digi Screens Limited
16 Bentinck Street
New Lynn, Auckland
leonie@digiscreens.co.nz

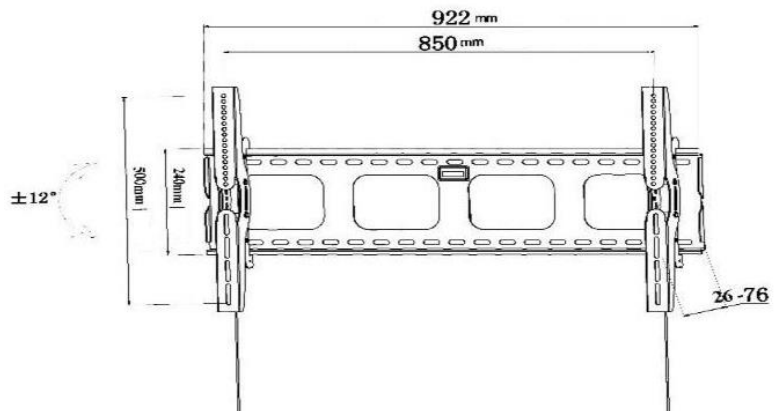
digiscreens.co.nz

+64 9 827 2323

Heavy Duty Weather resistant Wall Mount for Apollo Enclosures over 75"

All Apollo mounts are designed for outdoor installation with weatherproof construction and stainless steel hardware.

Specifications for WM808NA-HD Non Articulating Mount	
Description	Weather resistant non-articulating wall mount with stainless steel hardware - Black
Tilt	Adjustable from 0° to 12°
Maximum Load	115 kgs
Mount Weight	5kg



Australasia Distributor
Digi Screens Limited
16 Bentinck Street
New Lynn, Auckland
leonie@digiscreens.co.nz

digiscreens.co.nz

+64 9 827 2323