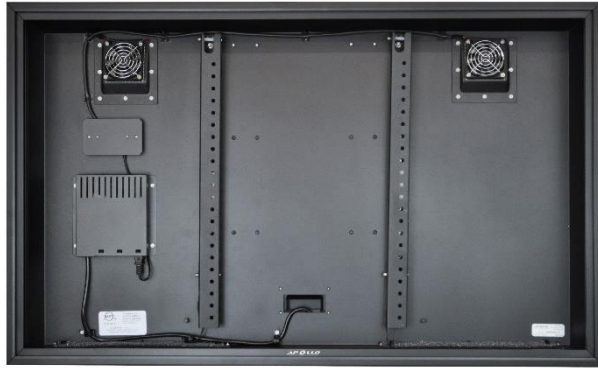


Model AE5550
Outdoor Weatherproof LCD TV Enclosure

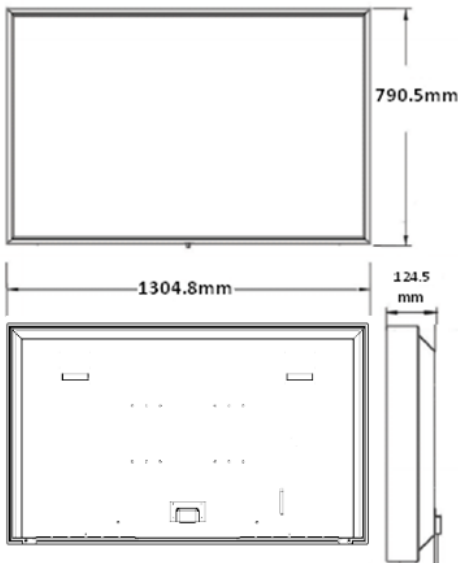


Fits most 50"- 55" slimline TVs and Commercial Screens

Model AE5550 can come complete with optional wall mount kit of your choice



Model AE5550 Drawings and Specs



Features for Model AE5550

- All aluminium powder coated construction for durability and style
- Safety tempered glass with internal IR film rejects over 90% of infrared rays and safeguards your TV from the outdoor elements
- Tight-Seal technology seals your TV against rain, dust, and insects
- Temperature controlled, the filtered air-flow system protects your TV in temperatures of -20°C to 50°C
- Down-facing sound ports transfer TV speaker audio effectively to maximise audio performance
- Watertight cable cover protects cable connections to your TV and inputs and outputs
- 1m High-Speed HDMI cable and coupler included
- Internal TV mounting brackets for standard TV VESA patterns
- Standard colour black, with three designer colour options

| Specifications | Model AE5550 |
|---|--|
| Fits TV Sizes | 50" to 55" Slim TVs & Commercial screens |
| Max TV Dimensions | 1244.6 x 736.6 x 68.6mm |
| Power Requirements | 230 VAC |
| Enclosure Dimensions | 1304.8 x 790.5 x 124.5mm |
| Filtered airflow system | 2 Axial fans |
| Enclosure Weight | 21kg |
| Optional Mounts, Accessories and Designer Colours | |
| Mount Options | AWM407 – Articulating Wall Mount WM607NA – Non-articulating Wall Mount CM307 – Ceiling Mount |
| DC5550 – Custom protective dust cover of washable durable fabric | |
| HM001 – Thermostatically controlled heater module for installation in areas of extreme humidity or very cold conditions | |
| MOD50 – Modesty bezels available for framing smaller TVs | |
| HDMI90 – HDMI right angle adapter (may be necessary for TVs with rear facing HDMI ports) | |
| Designer Colour Upgrades - Silver, Metallic Sandstone and White | |



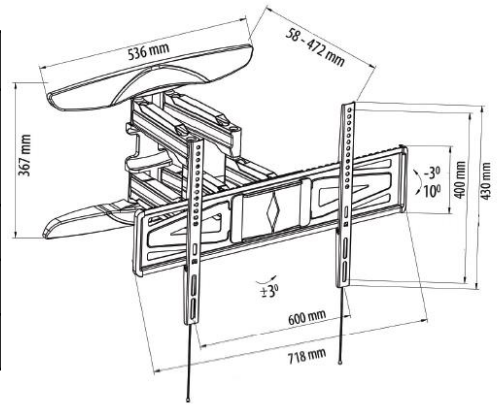
Australasia Distributor
Digi Screens Limited
16 Bentinck Street
New Lynn, Auckland
leonie@digiscreens.co.nz

Weatherproof Mounting Kit Selections for Apollo Enclosures

All Apollo mounts are designed for outdoor installation with weatherproof construction and stainless steel hardware.

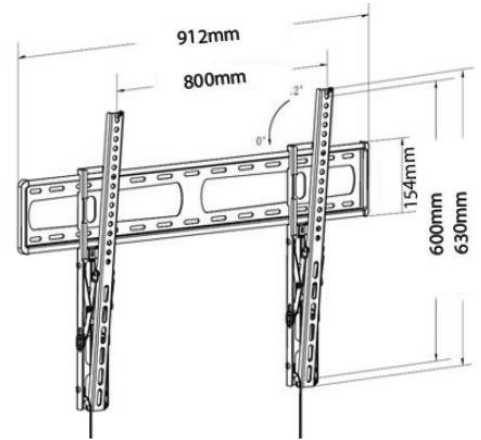
Specifications for AWM407 Articulating Wall Mount

| | |
|--------------|---|
| Description | Weather resistant aluminium dual arm, full-motion, tilting wall mount with stainless steel hardware - Black |
| Extension | 58.4 to 469.9mm |
| Tilt | Adjustable from -3° to 10° |
| Mount Weight | 10.8kg |



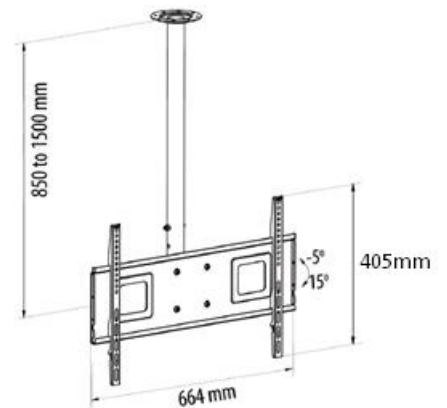
Specifications for WM607NA Non Articulating Mount

| | |
|--------------|---|
| Description | Weather resistant non-articulating wall mount with stainless steel hardware - Black |
| Tilt | Adjustable from 0° to 12° |
| Mount Weight | 5kg |



Specifications for CM307 Ceiling Mount

| | |
|--------------|--|
| Description | Weather resistant adjustable height, tilting and swivel ceiling mount with ceiling plate - Black |
| Extension | 850 to 1500mm |
| Tilt | Adjustable from -5° to 15° |
| Mount Weight | 10.8kg |



Australasia Distributor
Digi Screens Limited
 16 Bentinck Street
 New Lynn, Auckland
 leonie@digiscreens.co.nz

digiscreens.co.nz

+64 9 827 2323