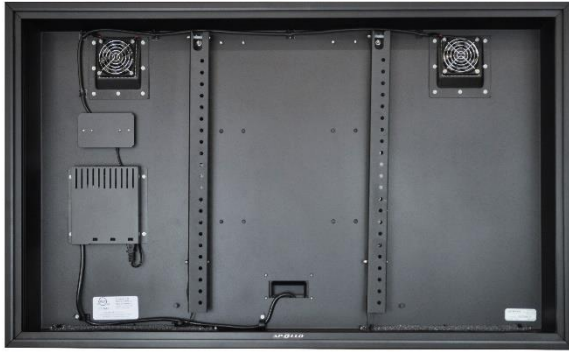


Model AE5046
Outdoor Weatherproof LCD TV Enclosure

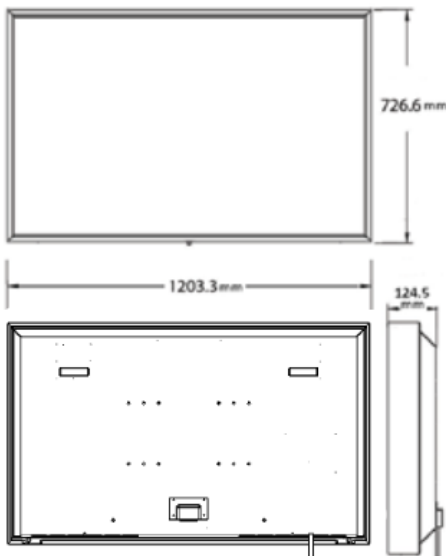


Fits most 46"- 50" slimline TVs and Commercial Screens

Model AE5046 can come complete with optional wall mount kit of your choice



Model AE5046 Drawings and Specs



Features for Model AE5046

- All aluminium powder coated construction for durability and style
- Safety tempered glass with internal IR film rejects over 90% of infrared rays and safeguards your TV from the outdoor elements
- Tight-Seal technology seals your TV against rain, dust, and insects
- Temperature controlled, the filtered air-flow system protects your TV in temperatures of -20°C to 50°C
- Down-facing sound ports transfer TV speaker audio effectively to maximise audio performance
- Watertight cable cover protects cable connections to your TV and inputs and outputs
- 1m High-Speed HDMI cable and coupler included
- Internal TV mounting brackets for standard TV VESA patterns
- Standard colour black, with three designer colour options

Specifications	Model AE5046
Fits TV Sizes	46" to 50" Slim TVs & Commercial screens
Max TV Dimensions	1143 x 673.1 x 63.5 mm
Power Requirements	230 VAC
Enclosure Dimensions	1203.3 x 726.6 x 124.5mm
Filtered airflow system	2 Axial fans
Enclosure Weight	18.2kg
Optional Mounts. Accessories and Designer Colours	
Mount Options	AWM407 – Articulating Wall Mount WM607NA – Non-articulating Wall Mount CM307 – Ceiling Mount
	DC5046 – Custom protective dust cover of washable durable fabric
	HM001 – Thermostatically controlled heater module for installation in areas of extreme humidity or very cold conditions
	MOD47 – Modesty bezels available for framing smaller TVs
	HDMI90 – HDMI right angle adapter (may be necessary for TVs with rear facing HDMI ports)
	Designer Colour Upgrades - Silver, Metallic Sandstone and White

Australasia Distributor
Digi Screens Limited
16 Bentinck Street
New Lynn, Auckland
leonie@digiscreens.co.nz



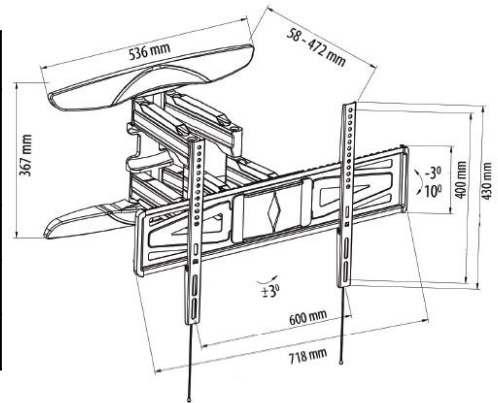
Digi Screens

Weatherproof Mounting Kit Selections for Apollo Enclosures

All Apollo mounts are designed for outdoor installation with weatherproof construction and stainless steel hardware.

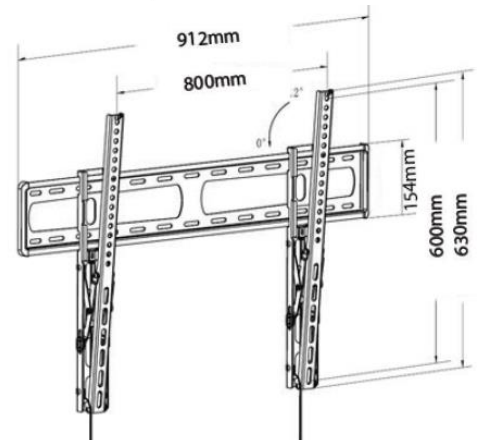
Specifications for AWM407 Articulating Wall Mount

Description	Weather resistant aluminium dual arm, full-motion, tilting wall mount with stainless steel hardware - Black
Extension	58.4 to 469.9mm
Tilt	Adjustable from -3° to 10°
Mount Weight	10.8kg



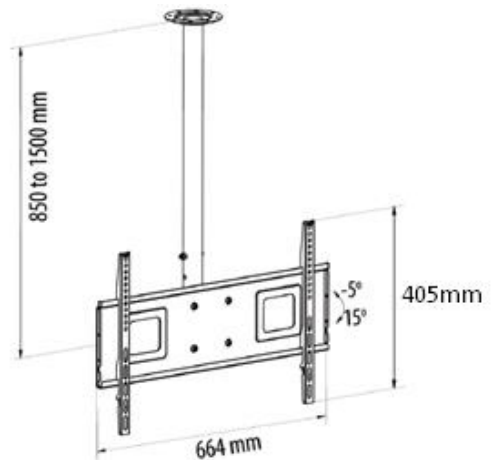
Specifications for WM607NA Non Articulating Mount

Description	Weather resistant non-articulating wall mount with stainless steel hardware - Black
Tilt	Adjustable from 0° to 12°
Mount Weight	5kg



Specifications for CM307 Ceiling Mount

Description	Weather resistant adjustable height, tilting and swivel ceiling mount with ceiling plate - Black
Extension	850 to 1500mm
Tilt	Adjustable from -5° to 15°
Mount Weight	10.8kg



Australasia Distributor
Digi Screens Limited
 16 Bentinck Street
 New Lynn, Auckland
 leonie@digiscreens.co.nz

digiscreens.co.nz

+64 9 827 2323