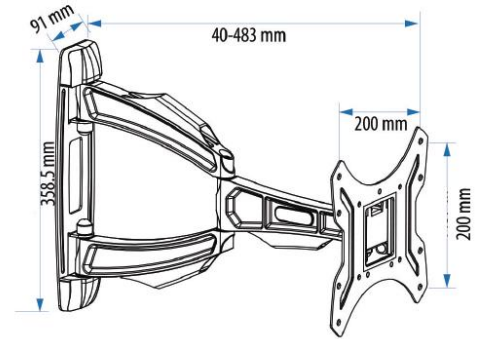


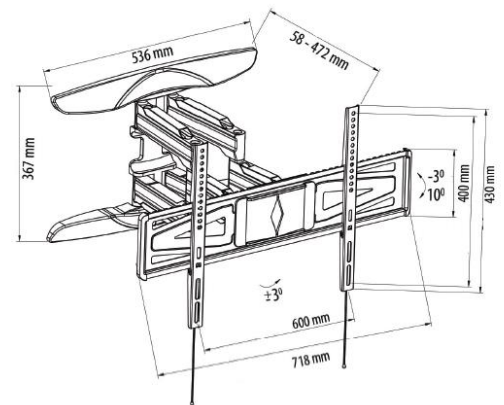
# Weatherproof Mounting Kit Selections for Apollo Enclosures

All Apollo mounts are designed for outdoor installation with weatherproof construction and stainless steel hardware.

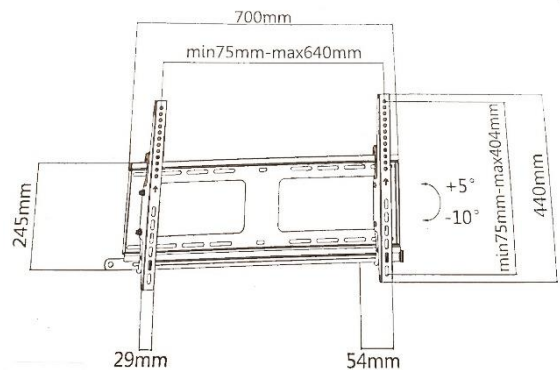
<b>AWM207 Full motion wall mount for 39" to 43" TVs</b>	
Description	Weather resistant aluminium arm, super slim full motion, tilting wall mount with stainless steel hardware - Black
Extension	40 to 480mm
Tilt	Adjustable from -2° to 12°
Maximum weight	31 kg



<b>AWM407 Full motion wall mount for 39" to 75" TVs</b>	
Description	Weather resistant aluminium dual arm, full-motion, tilting wall mount with stainless steel hardware - Black
Extension	58.4 to 469.9mm
Tilt	Adjustable from -3° to 10°
Maximum weight	70 kg



<b>WT600T Anti-theft tilting wall mount for 37" to 70" TVs</b>	
Description	Maximum VESA 800 x 400, Locking bar for anti-theft (padlock required), Toolless tilt allows for effortless positioning, Built-in level adjustment ensures perfect positioning, Mounts screen 54mm from the wall, Heavy Gauge Steel
Extension	40 to 480mm
Maximum load	75 kg



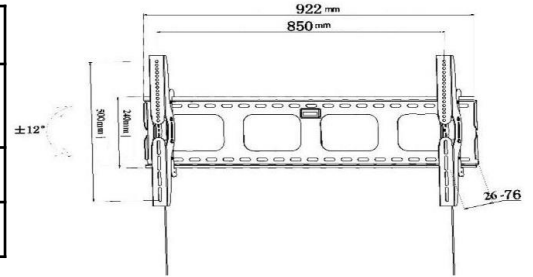
**Australasia Distributor**  
**Digi Screens Limited**  
 16 Bentinck Street  
 New Lynn, Auckland  
 leonie@digiscreens.co.nz

[digiscreens.co.nz](http://digiscreens.co.nz) +64 9 827 2323

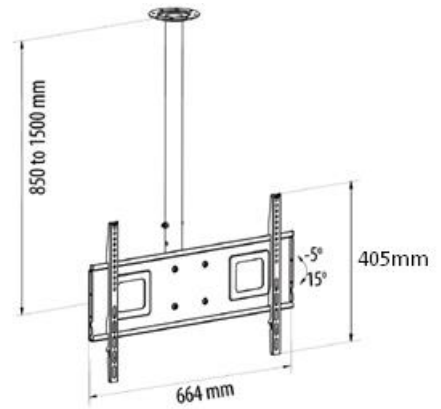
# Weatherproof Mounting Kit Selections for Apollo Enclosures

All Apollo mounts are designed for outdoor installation with weatherproof construction and stainless steel hardware.

<b>WM808NA-HD Non Articulating Mount for 70" to 86" TVs</b>	
Description	Weather resistant non-articulating wall mount with stainless steel hardware - Black
Tilt	Adjustable from 0° to 12°
Maximum Load	115 kgs



<b>CM708 Ceiling Mount Suitable for 39" to 65" TVs</b>	
Description	Weather resistant adjustable height, tilting and swivel ceiling mount with ceiling plate - Black
Extension	850 to 1500mm
Tilt	Adjustable from -5° to 15°
Maximum Load	70 kgs



Digi Screens

**Australasia Distributor**  
**Digi Screens Limited**  
 16 Bentinck Street  
 New Lynn, Auckland  
 leonie@digiscreens.co.nz

[digiscreens.co.nz](http://digiscreens.co.nz)

+64 9 827 2323