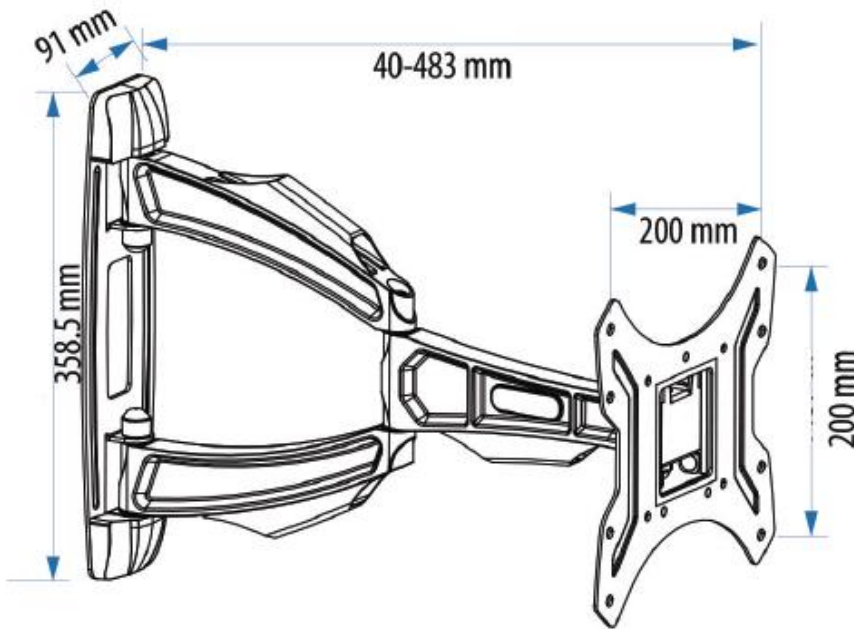


Specifications for AWM207 Articulating Wall Mount

All Apollo mounts are designed for outdoor installation with weatherproof construction and stainless steel hardware.

Description	Weather resistant aluminium arm, super slim full motion, tilting wall mount with stainless steel hardware - Black
Extension	40 to 480mm
Tilt	Adjustable from -2° to 12°
Mount Weight	4.5kg



Australasia Distributor
Digi Screens Limited
16 Bentinck Street
New Lynn, Auckland
leonie@digiscreens.co.nz

digiscreens.co.nz

+64 9 827 2323